

Grind Hog™

Hermitage Municipal Authority
Pine Hollow Pump Station
Hermitage, PA
2001

CONTRACTOR

Pipeline Systems Inc.
Meadville, PA

ENGINEER

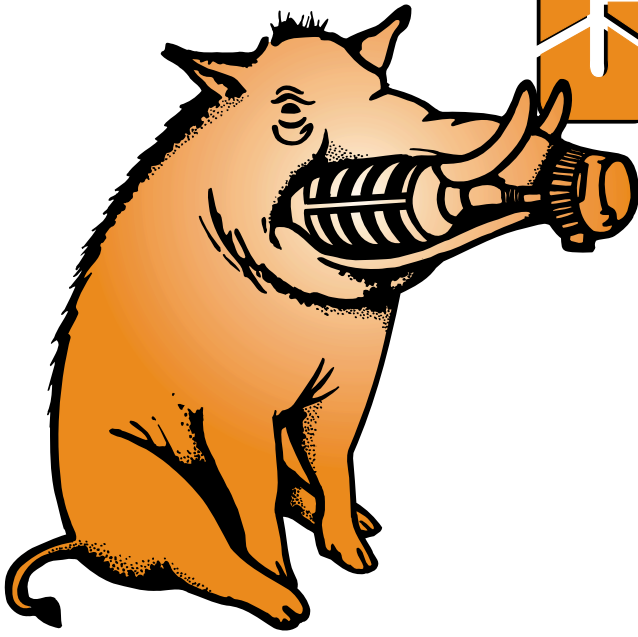
Herbert, Rowland & Grubic, Inc.
Hermitage, PA

REPRESENTATIVE

John P. Place, Inc.
Pittsburgh, PA



Grind Hog™ 16ASX T/S (3.5 mdg) installed
Replacing original Worthington 15-5



Grind Hog^{T.M.}

Shade Central City
Joint Authority
Pennsylvania

2001

FEATURES

Grind HogTM Automatic
Reverse Controller
Submersible 3 Hp. Motor
208/3/60
"Toilet Seat" Assembly

CONTRACTOR

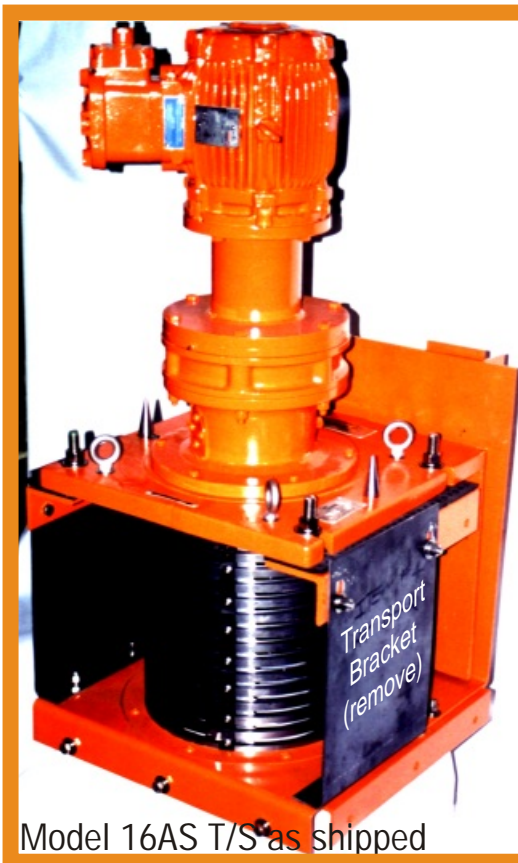
Kukurin Contracting Inc.
Export, PA

ENGINEER

The Eads Group Inc.
Somerset, PA

SALES & SERVICE

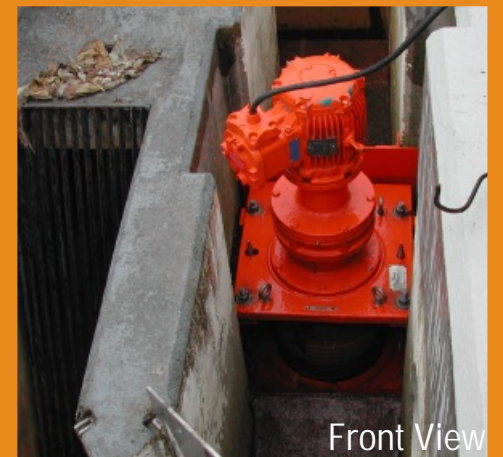
John P. Place, Inc.
Pittsburgh, PA



Model 16AS T/S as shipped



Rear View

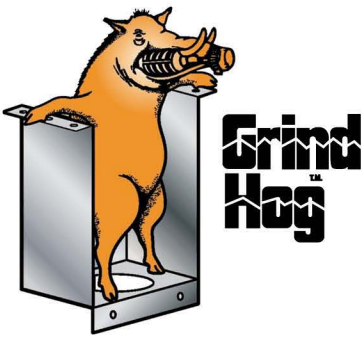


Front View

Replacement of original Worthington 15C

G.E.T. INDUSTRIES INC.

Toll Free: (877) 213-7418
E-mail: get@grindhog.com ♦ Web: www.grindhog.com



HORIZONTAL FLOW

RETROFIT ALTERNATIVE

“TOILET SEAT BOX STYLE” DROP IN REPLACEMENT

PROJECT: _____

ANTICIPATED PEAK FLOW: _____

EXISTING CHANNEL:

Width (w): _____

Depth (d): _____

Underdrain Clearance (c): _____

MOTOR REQUIREMENTS:

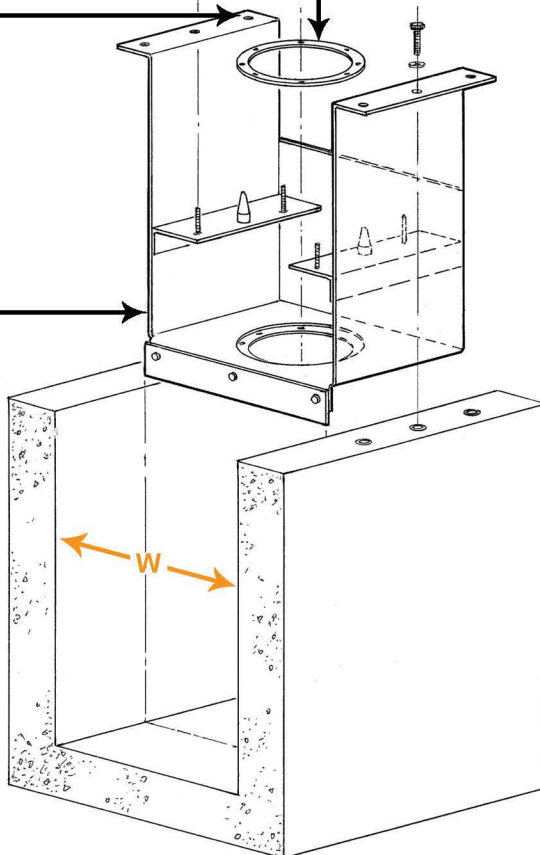
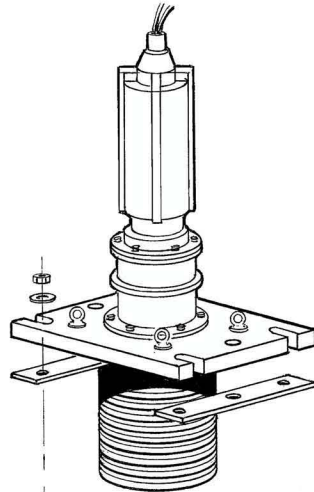
Power: _____ / _____ / _____

Enclosure: _____

Replaceable wear ring for extended life

Supported from above on the channel walls, eliminating the requirement for any submerged anchorage

Fabricated from 304 Stainless Steel to suit existing channel dimensions



REPLACING

Barminutor

Infilco Degremont

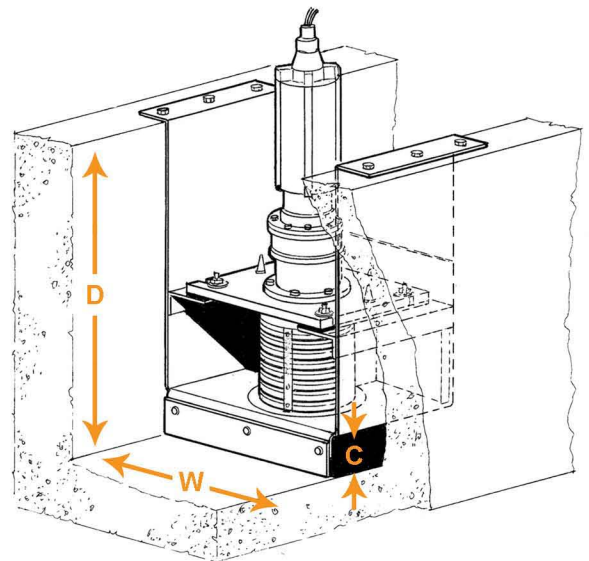
Clow Aer-O-Flo

Muffin Monster

Franklin Miller-Diminutor

Worthington

.....Among others

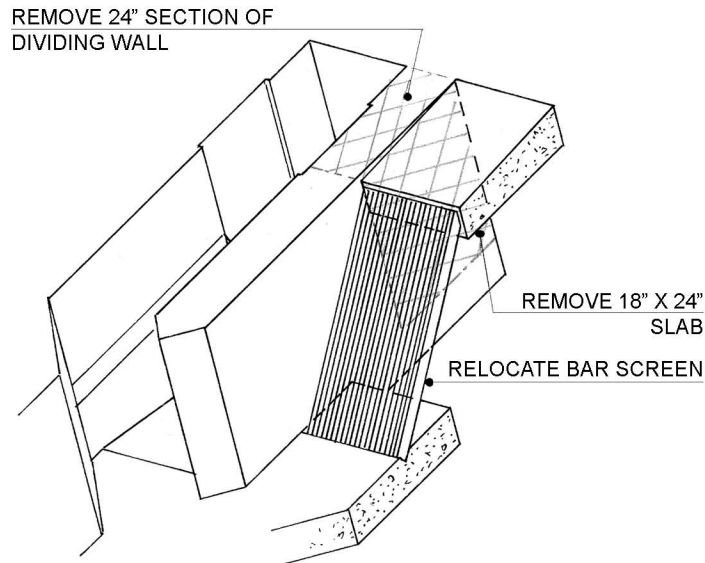


HORIZONTAL FLOW

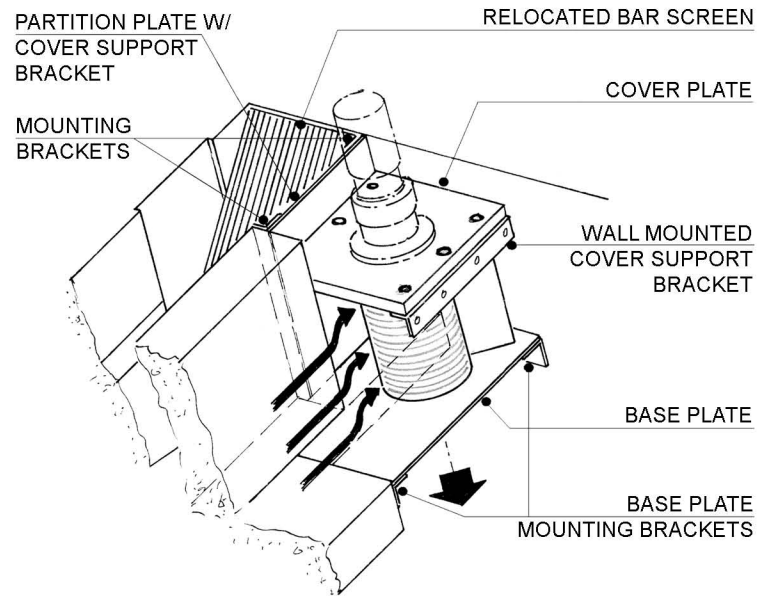


Customized to suit each application

ORIGINAL CHANNEL



PROPOSED CHANGES



Original
Worthington 15-5



Custom Fabricated
Basin



16 ASX T/S



Custom Fabricated Basin
& 16ASX T/S
Ready for Shipment